

| ITEM NO. | PART NUMBER | DESCRIPTION | QTY. | CUT |
|----------|-------------------------------------|--|------|-----|
| 1 | STNLP-20"-36W-AA-A-XXK-SPUN COVER | SPUN ALUMINUM 0.080" | 1 | |
| 2 | STNLP-20"-36W-AA-A-XXK-SPUN BACKPAN | SPUN ALUMINUM 0.080" | 1 | |
| 3 | STNLP-20"-36W-AA-A-XXK-ACRYLIC | ACRYLIC LENS | 1 | |
| 4 | 92268A180 | Press-Fit Nuts for Sheet Metal | 10 | |
| 5 | 92949A194 | 18-8 SS Hex Drive Screw | 6 | |
| 6 | 92949A194 | HEX ROUNDED SCREWS (#8-32 THREAD) 3/8" L | 4 | |
| 7 | 98164A143 | ROUNDED SCREWS (#8-32 THREAD) 1" L | 2 | |
| 8 | 90866A009 | Zinc-Plated Steel Wing Nut | 6 | |
| 9 | AC29CD700AT2Q LED DRIVER | DRIVER | 1 | |
| 10 | PCN-4500-450X.2-19-700 | 36-WATT LED PUCK | 1 | |

UNLESS OTHERWISE SPECIFIED:

DIMENSIONS ARE IN INCHES
 TOLERANCES:
 FRACTIONAL ± .003
 ANGULAR: MACH ± .01 BEND ±
 TWO PLACE DECIMAL ±
 THREE PLACE DECIMAL ±.001

INTERPRET GEOMETRIC
 TOLERANCING PER:
 MATERIAL

FINISH

ALL BEND RADIUS .030"

APPLICATION

DO NOT SCALE DRAWING

NAME DATE

DRAWN
 CHECKED
 ENG APPR.
 MFG APPR.

Q.A.
 COMMENTS:

TITLE:

STNLP-20"-36W-AA-A-XXK

SIZE DWG. NO. REV

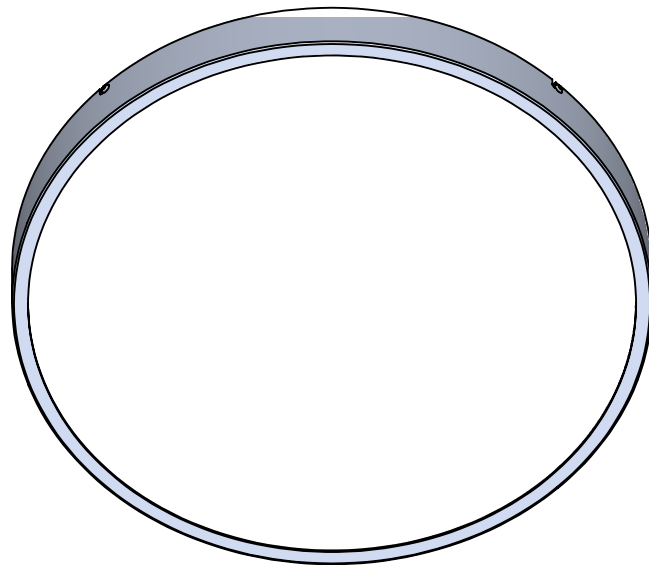
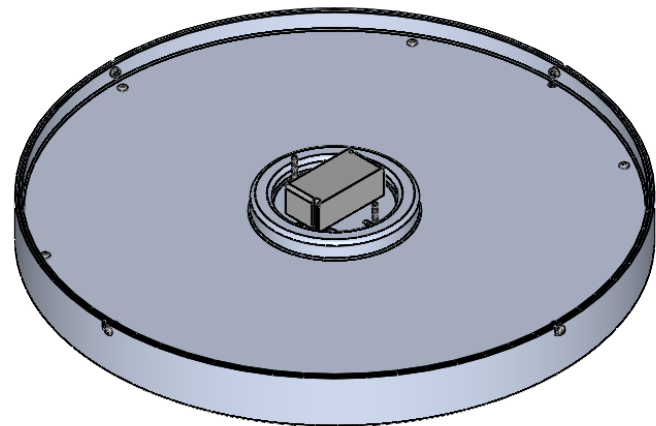
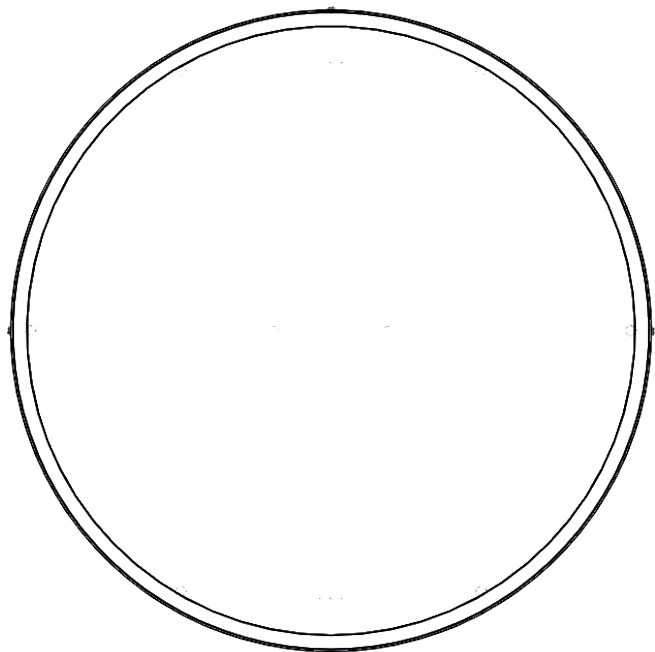
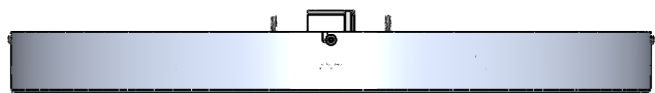
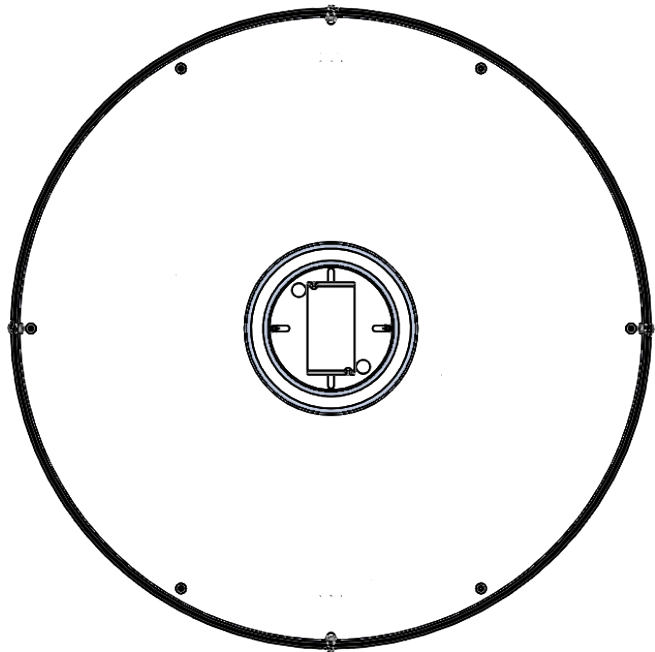
A

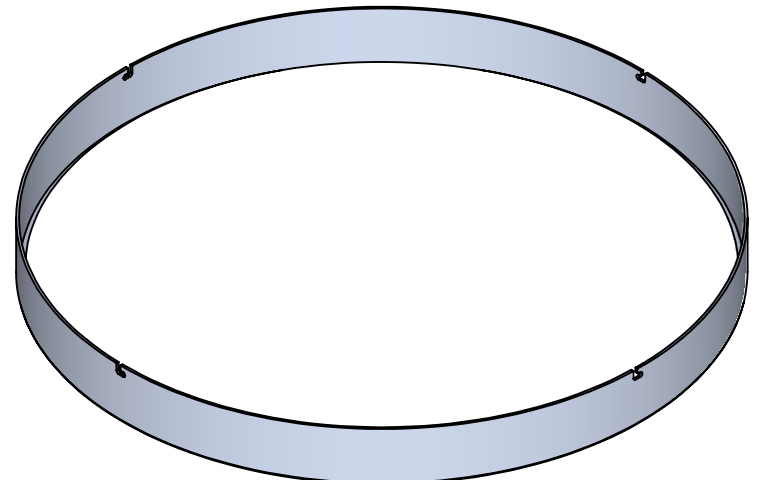
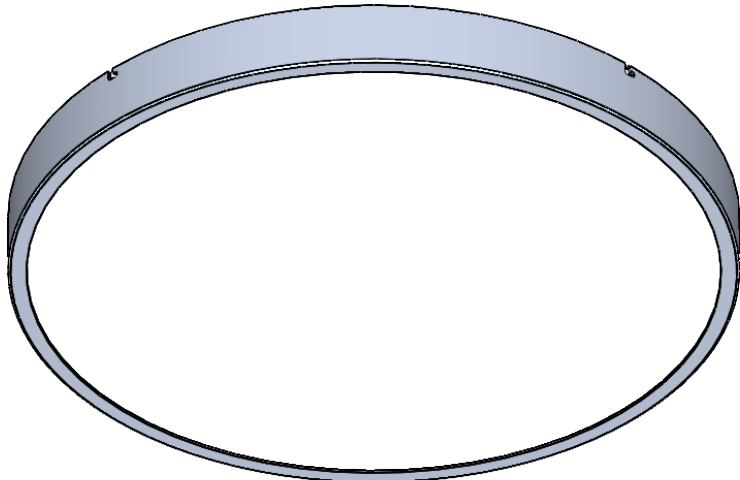
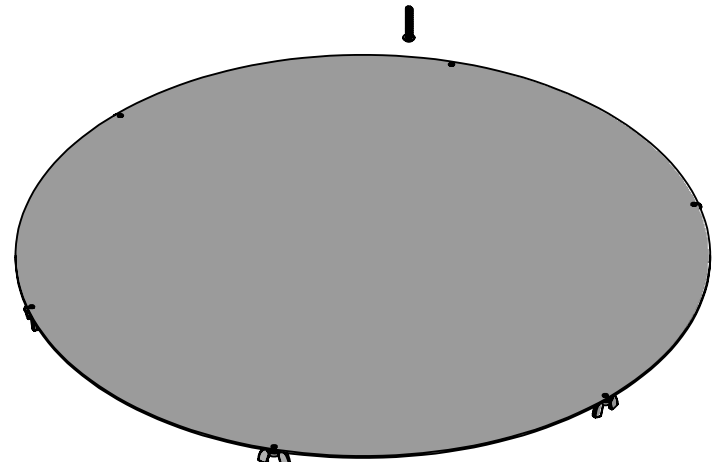
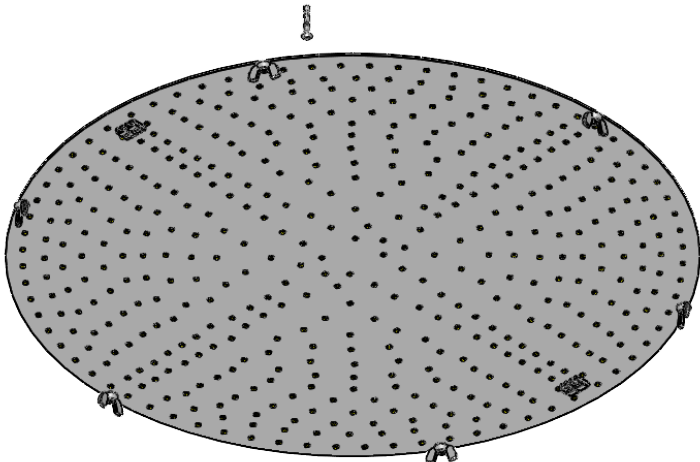
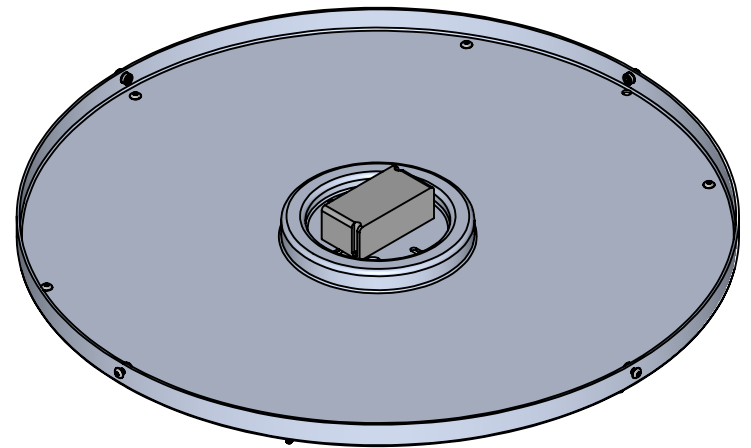
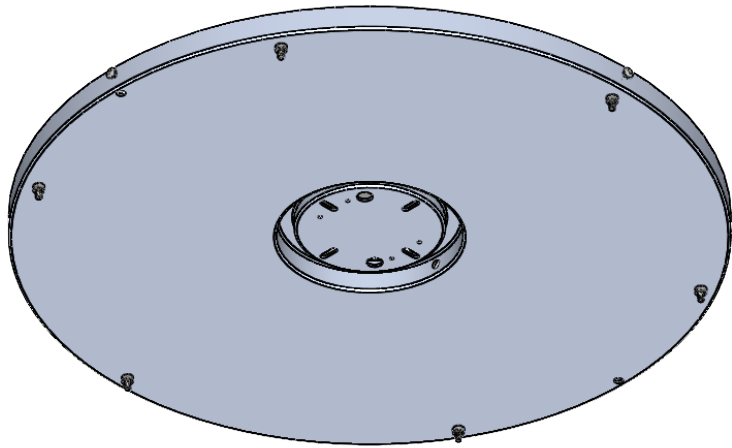
SCALE: 1:7.5WEIGHT:

SHEET 1 OF 12

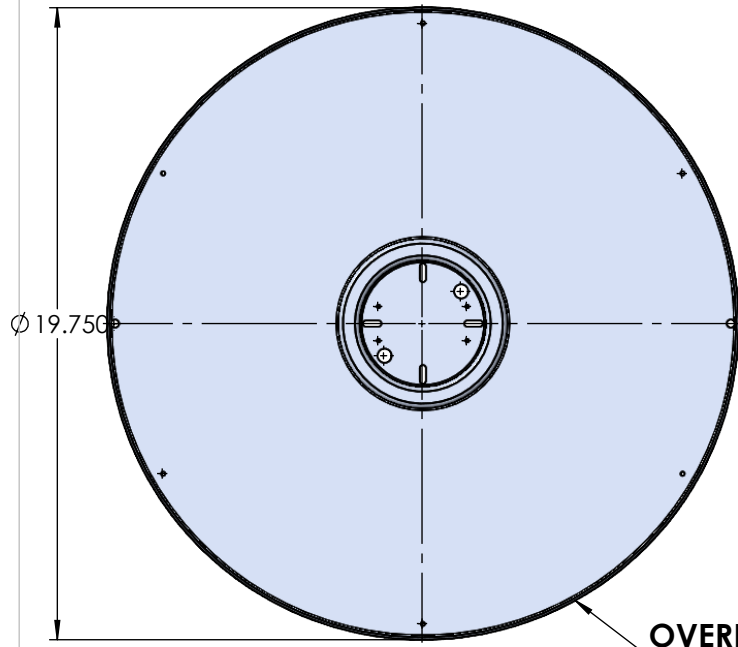
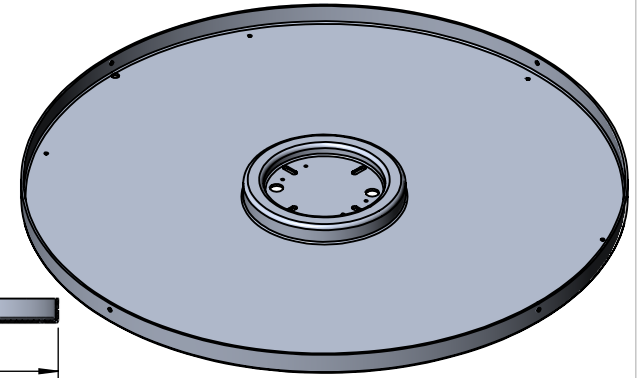
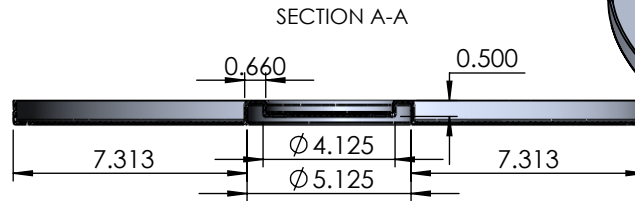
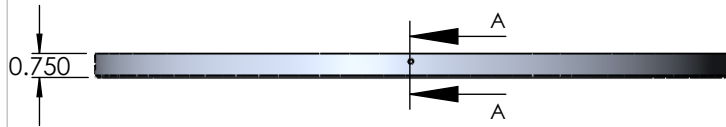


EVERGREEN LIGHTING

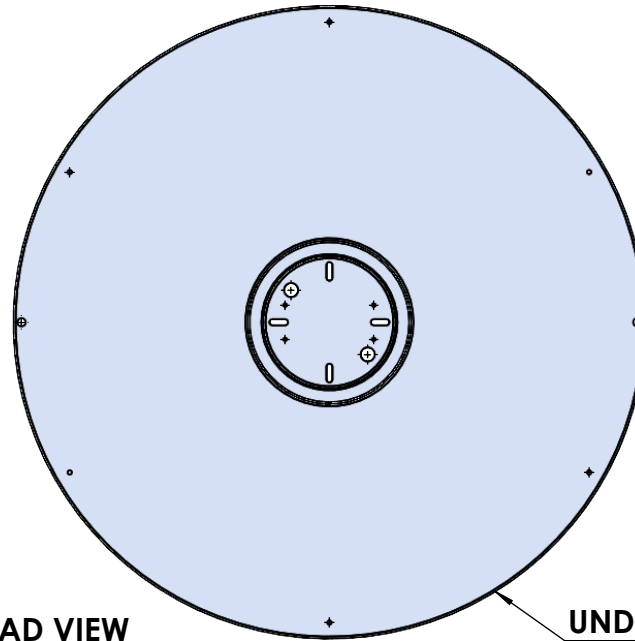




| ITEM NO. | PART NUMBER | DESCRIPTION | QTY. |
|----------|-------------------------------------|----------------------|------|
| 1 | STNLP-20"-36W-AA-A-XXK-SPUN BACKPAN | SPUN ALUMINUM 0.080" | 1 |



OVERHEAD VIEW



UNDERSIDE VIEW

PROPRIETARY AND CONFIDENTIAL
 THE INFORMATION CONTAINED IN THIS DRAWING IS THE SOLE PROPERTY OF <INSERT COMPANY NAME HERE>. ANY REPRODUCTION IN PART OR AS A WHOLE WITHOUT THE WRITTEN PERMISSION OF <INSERT COMPANY NAME HERE> IS PROHIBITED.

| | | UNLESS OTHERWISE SPECIFIED: | NAME | DATE |
|-------------|---------|--------------------------------------|-----------|------|
| | | DIMENSIONS ARE IN INCHES | DRAWN | |
| | | TOLERANCES: | CHECKED | |
| | | FRACTIONAL ± | ENG APPR. | |
| | | ANGULAR: MACH ± BEND ± | MFG APPR. | |
| | | TWO PLACE DECIMAL ± | Q.A. | |
| | | THREE PLACE DECIMAL ± | COMMENTS: | |
| | | INTERPRET GEOMETRIC TOLERANCING PER: | | |
| | | MATERIAL | | |
| NEXT ASSY | USED ON | FINISH | | |
| APPLICATION | | DO NOT SCALE DRAWING | | |

SPUN ALUMINUM 0.080"

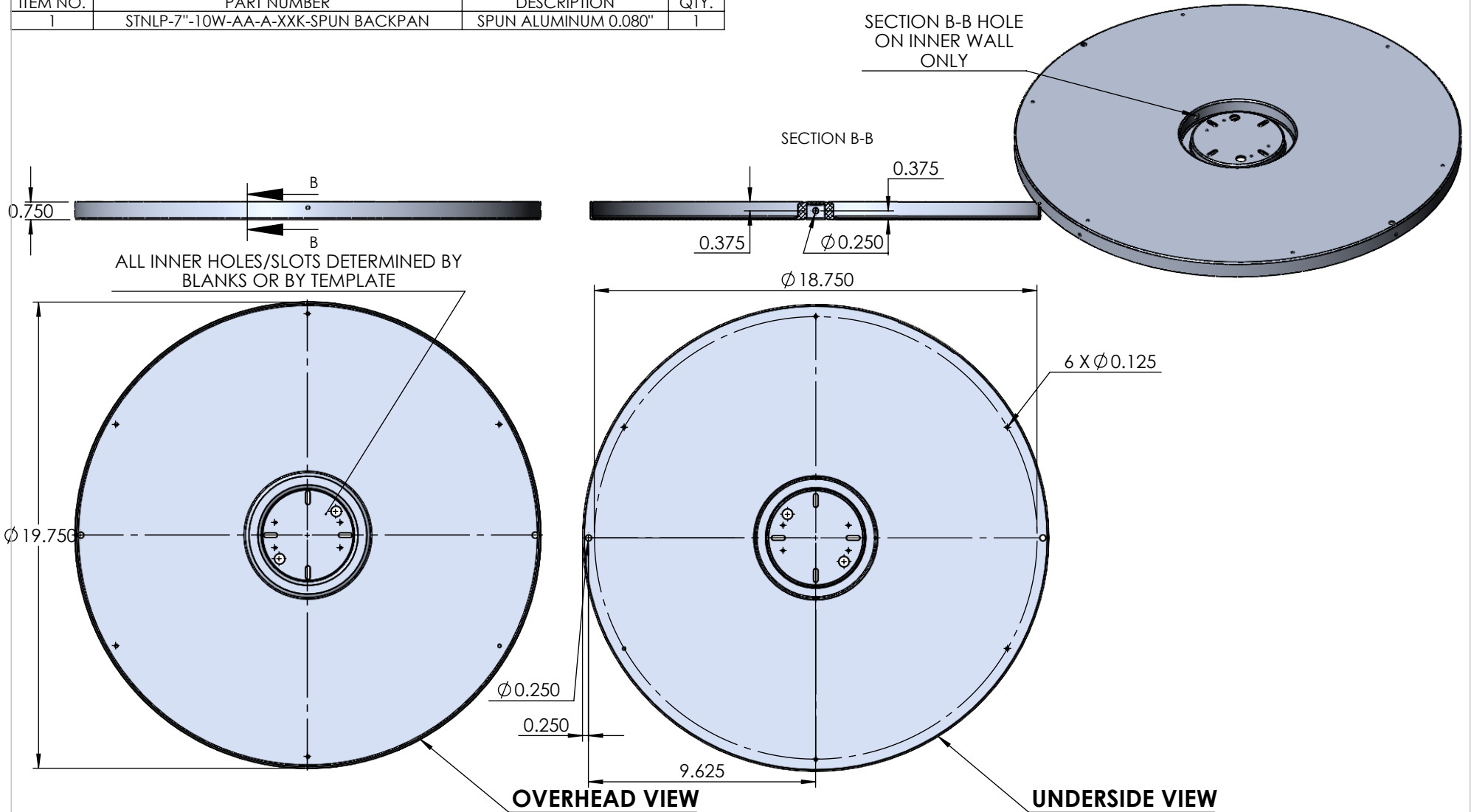
TITLE:

STNLP-20"-36W-AA-A-XXK

| | | |
|----------|----------|-----|
| SIZE | DWG. NO. | REV |
| A | | |

SCALE: 1:6 WEIGHT: SHEET 4 OF 12

| ITEM NO. | PART NUMBER | DESCRIPTION | QTY. |
|----------|------------------------------------|----------------------|------|
| 1 | STNLP-7"-10W-AA-A-XXK-SPUN BACKPAN | SPUN ALUMINUM 0.080" | 1 |



PROPRIETARY AND CONFIDENTIAL
 THE INFORMATION CONTAINED IN THIS DRAWING IS THE SOLE PROPERTY OF <INSERT COMPANY NAME HERE>. ANY REPRODUCTION IN PART OR AS A WHOLE WITHOUT THE WRITTEN PERMISSION OF <INSERT COMPANY NAME HERE> IS PROHIBITED.

| | | | | | | |
|-------------|---------|-----------------------------|----------------------|------|------------------------|----------|
| | | UNLESS OTHERWISE SPECIFIED: | NAME | DATE | SPUN ALUMINUM 0.080" | |
| | | DIMENSIONS ARE IN INCHES | DRAWN | | TITLE: | |
| | | TOLERANCES: | CHECKED | | STNLP-20"-36W-AA-A-XXK | |
| | | FRACTIONAL ± | ENG APPR. | | SIZE | DWG. NO. |
| | | ANGULAR: MACH ± BEND ± | MFG APPR. | | A | REV |
| | | TWO PLACE DECIMAL ± | Q.A. | | SCALE: 1:6 | WEIGHT: |
| | | THREE PLACE DECIMAL ± | COMMENTS: | | SHEET 5 OF 12 | |
| NEXT ASSY | USED ON | MATERIAL | | | | |
| APPLICATION | | FINISH | DO NOT SCALE DRAWING | | | |

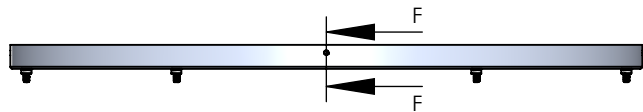
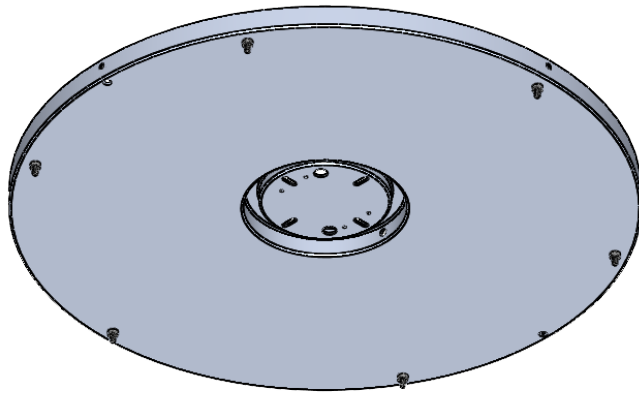
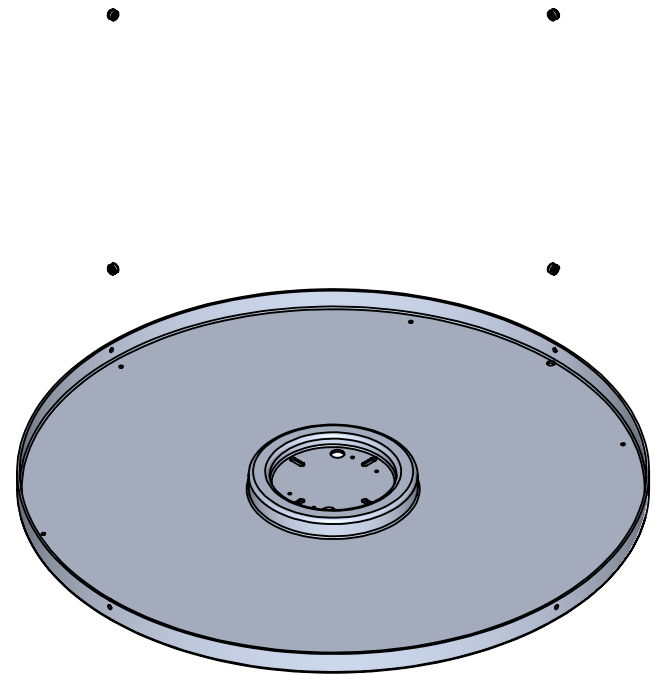
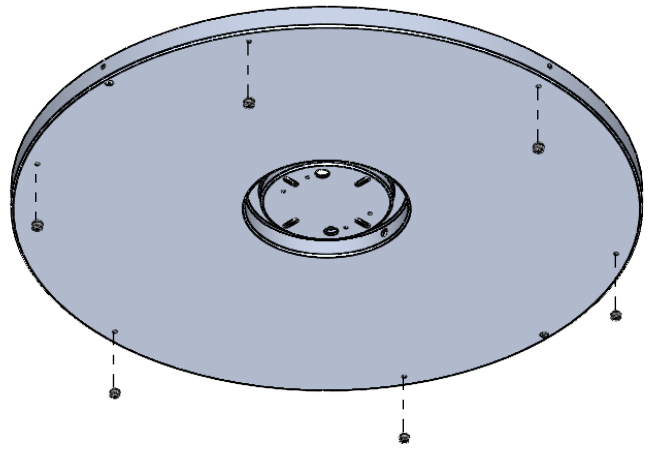
5

4

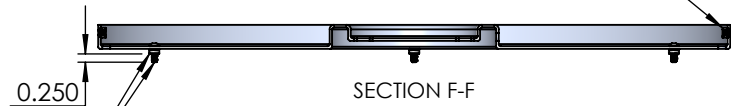
3

2

1



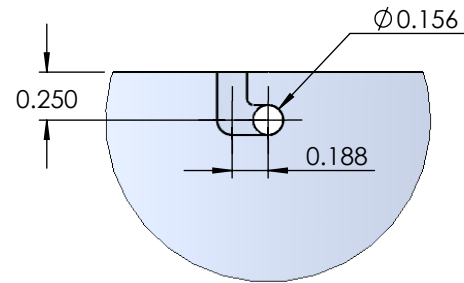
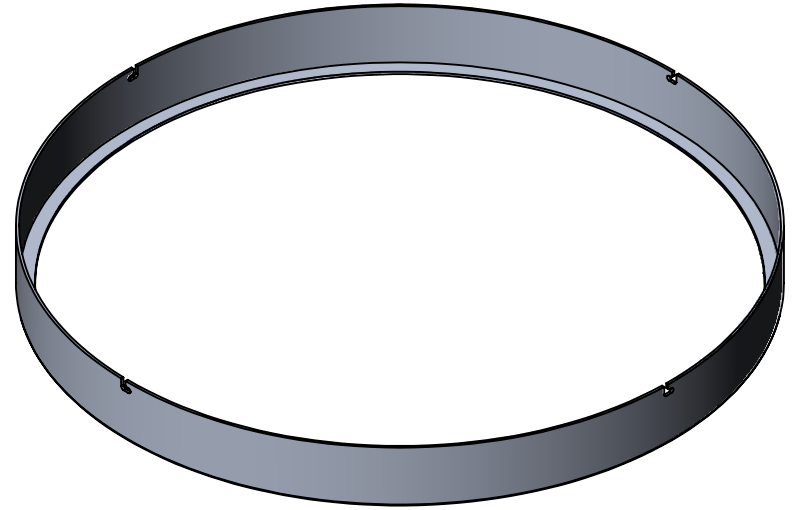
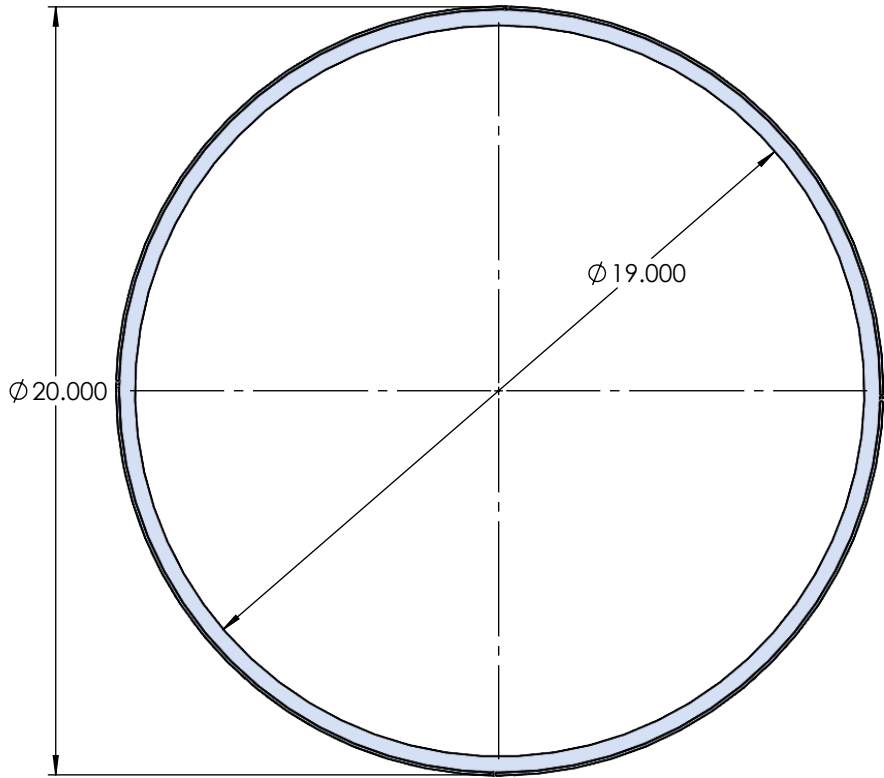
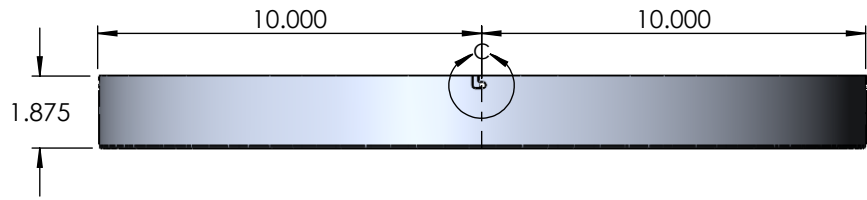
**PRESS FIT INSERTS WITH
1/4" THREADED STUD**



**PRESS FIT INSERTS FOR
SPUN COVER SCREWS**

SECTION F-F

| ITEM NO. | PART NUMBER | DESCRIPTION | QTY. |
|----------|-----------------------------------|----------------------|------|
| 1 | STNLP-20"-36W-AA-A-XXK-SPUN COVER | SPUN ALUMINUM 0.080" | 1 |



DETAIL C
SCALE 1 : 1

PROPRIETARY AND CONFIDENTIAL
THE INFORMATION CONTAINED IN THIS DRAWING IS THE SOLE PROPERTY OF <INSERT COMPANY NAME HERE>. ANY REPRODUCTION IN PART OR AS A WHOLE WITHOUT THE WRITTEN PERMISSION OF <INSERT COMPANY NAME HERE> IS PROHIBITED.

| | | UNLESS OTHERWISE SPECIFIED: | NAME | DATE |
|-------------|----------------------|---|-----------|------|
| | | DIMENSIONS ARE IN INCHES TOLERANCES: FRACTIONAL ± ANGULAR: MACH ± BEND ± TWO PLACE DECIMAL ± THREE PLACE DECIMAL ± | DRAWN | |
| | | INTERPRET GEOMETRIC TOLERANCING PER: | CHECKED | |
| | | MATERIAL | ENG APPR. | |
| | | FINISH | MFG APPR. | |
| NEXT ASSY | USED ON | | Q.A. | |
| APPLICATION | DO NOT SCALE DRAWING | | COMMENTS: | |

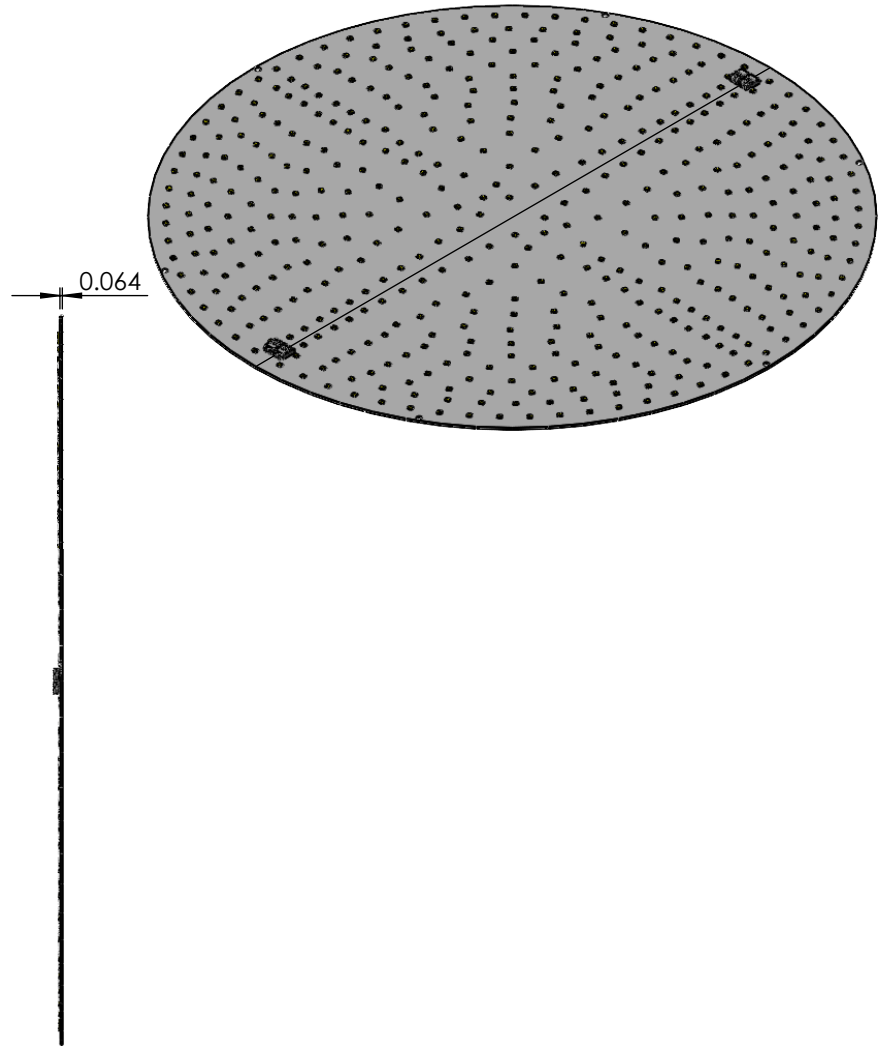
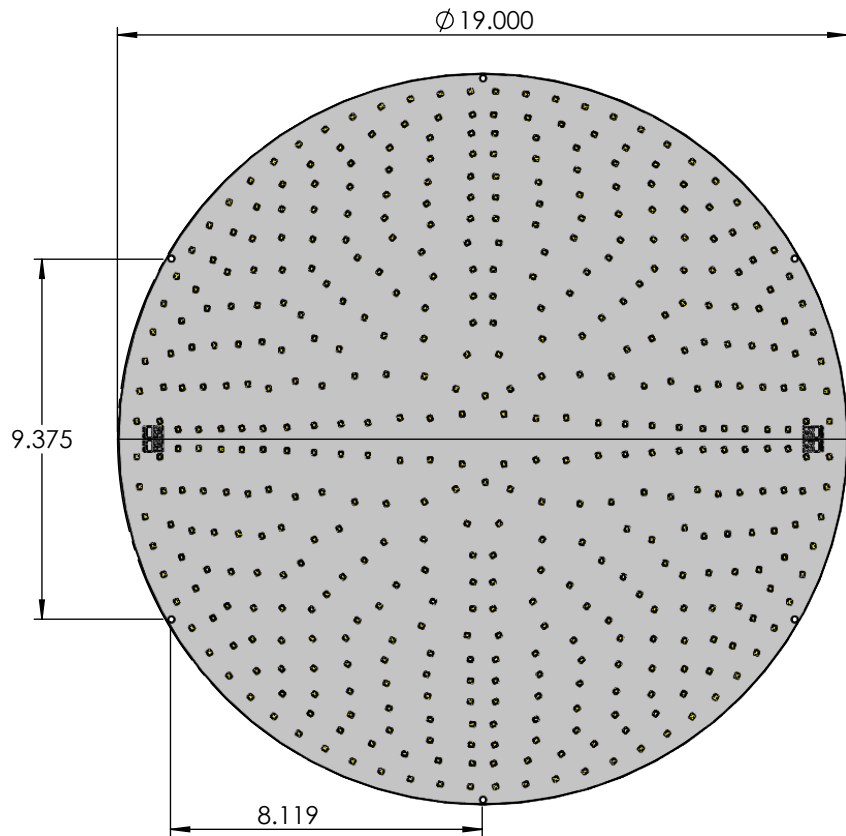
SPUN ALUMINUM 0.080"

TITLE:

STNLP-20"-36W-AA-A-XXK

| SIZE | DWG. NO. | REV |
|----------|----------|-----|
| A | | |

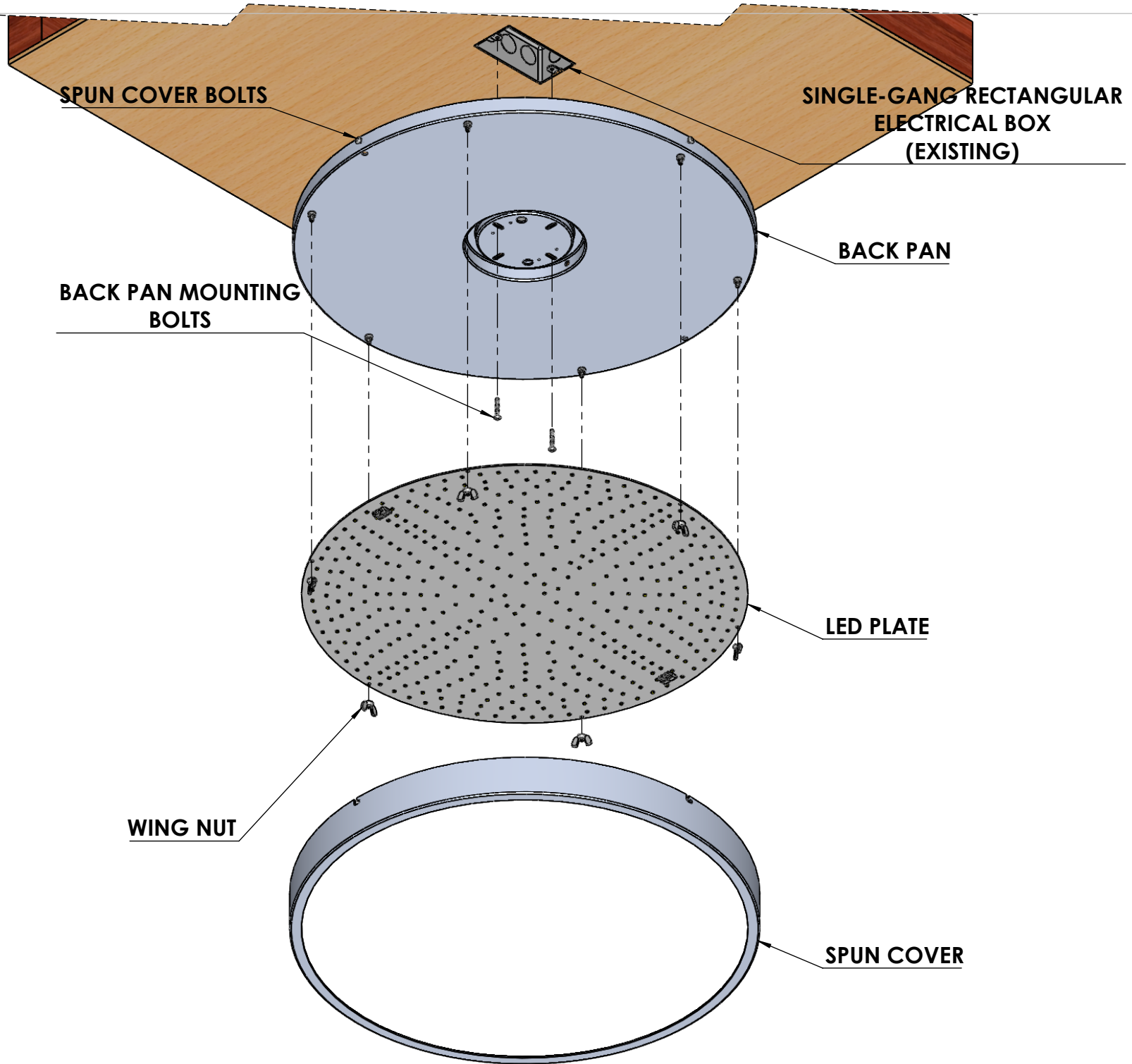
SCALE: 1:5 WEIGHT: SHEET 7 OF 12



PROPRIETARY AND CONFIDENTIAL
 THE INFORMATION CONTAINED IN THIS DRAWING IS THE SOLE PROPERTY OF <INSERT COMPANY NAME HERE>. ANY REPRODUCTION IN PART OR AS A WHOLE WITHOUT THE WRITTEN PERMISSION OF <INSERT COMPANY NAME HERE> IS PROHIBITED.

| | | | | | |
|-----------|-------------|--------------------------------------|-----------|------|------|
| | | UNLESS OTHERWISE SPECIFIED: | | NAME | DATE |
| | | DIMENSIONS ARE IN INCHES | DRAWN | | |
| | | TOLERANCES: | CHECKED | | |
| | | FRACTIONAL ± | ENG APPR. | | |
| | | ANGULAR: MACH ± BEND ± | MFG APPR. | | |
| | | TWO PLACE DECIMAL ± | Q.A. | | |
| | | THREE PLACE DECIMAL ± | COMMENTS: | | |
| | | INTERPRET GEOMETRIC TOLERANCING PER: | | | |
| | | MATERIAL | | | |
| NEXT ASSY | USED ON | FINISH | | | |
| | APPLICATION | DO NOT SCALE DRAWING | | | |

| | | |
|------------------------|----------|---------------|
| 36-WATT LED PUCK | | |
| TITLE: | | |
| STNLP-20"-36W-AA-A-XXK | | |
| SIZE | DWG. NO. | REV |
| A | | |
| SCALE: 1:5 | WEIGHT: | SHEET 8 OF 12 |



SPUN COVER BOLTS

SINGLE-GANG RECTANGULAR ELECTRICAL BOX (EXISTING)

BACK PAN

BACK PAN MOUNTING BOLTS

LED PLATE

WING NUT

SPUN COVER

